

Products to fit any of your needs

Ideas to enhance your performance

NEM, founded in 1995, is a valve manufacturer specialising in the development of hydraulic solutions for mobile, agricultural and industrial applications.

Our goal is to be a reliable partner, providing our customers a state of the art service, delivered by highly qualified technical staff, to achieve customized solutions.

At NEM we are aware that the future of the hydraulic industry is in system engineering. Therefore we are developing and manufacturing top quality products, which can be fully integrated into many different applications. NEM components

ensure the highest level of performance and safety in any application; this, together with our focus on innovation, has gained us the trust and appreciation of leading machine manufacturers worldwide.

NEM's products can count on a wide range of options, from cartridge valves and hydraulic integrated circuits to Parts-In-Body counterbalance valves and flow control valves.

All our products can be selected from our catalogues or customised by NEM's application engineers to develop a se-

lection of valves specifically designed for different applications in order to respond to any of our customer needs.

Last but not least, NEM can also provide its own range of compact directional control valves, rated for metered flows up to 40 L/min.

All these products, together with our innovative solutions for load and flow sensing control valves demonstrate our attitude towards engineering fluid power solutions.

Mechanical and Electrical Cartridge Valves

Pressure control valves	p_{max}	350 bar
Counterbalance valves	Q_{max}	200 L/min
Directional control valves	Cavity	up to SAE 16
Flow control valves		M27x1,5



Parts-in-Body Valves

Counter balance valves	p_{max}	410 bar
PO check valves	Q_{max}	500 L/min
Boom lowering control valves	Ports	up to 1 1/4 SAE6000
Pressure control valves		
Flow control valves		



Hydraulic Integrated Circuits

Weight lifting	p_{max}	350 bar
Earth moving	Q_{max}	200 L/min
Agricultural vehicles		
Industrial vehicles		



Directional Control Valves

Flow sensing	p_{max}	350 bar
Load sensing	Q_{max}	40 L/min
	Ports	BSP 3/8"



Solutions from NEM for Mobile Cranes



Solutions for Mobiles Cranes

EN-13000 Safety Requirements

The European standard EN13000-2010, establishes the rules of use for the rated capacity Limiter (RCL) override key.

This standard allows the crane driver to operate the crane in case of RCL failures and recover suspended loads at a limited movement speed.

All the emergency operations with RCL override key activated, will be recorded by a data logger for 30 min. The use of the RCL override key must be avoided during normal working operations. To

comply with this specific requirement, on hydraulic operated systems, the EN-13000 specifies that the movement speed must be limited to 25% of the normal speed.

In order to obtain reduced speed on all movements (Boom lowering included), NEM engineers specific products to be implemented in the hydraulic system.

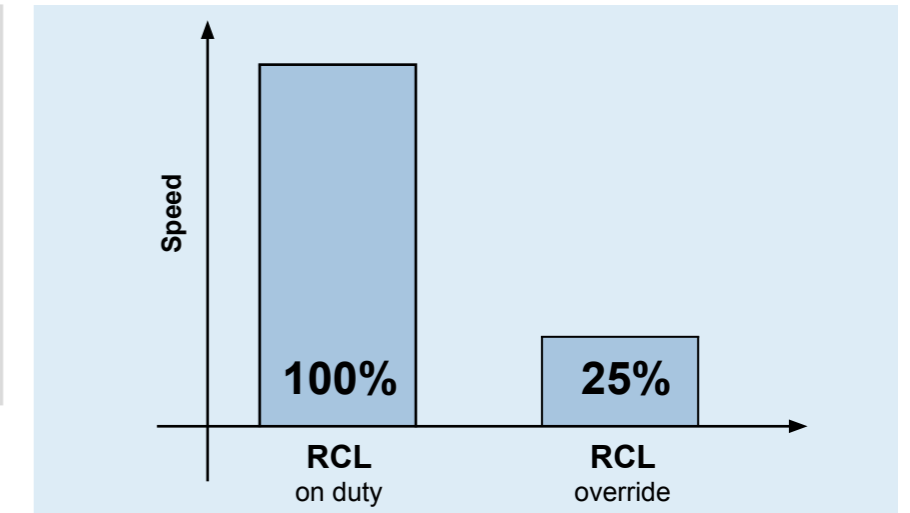
The range of NEM products available to comply with the EN-13000 revision are: flow control valves, pilot pressure control blocks and solenoid cartridge valves.

Customized solutions and layout are possible thanks to our range of cartridge valves, that allow the development of dedicated products to fulfill any customer specification.

Mobile Crane manufacturers can count on NEM know how and quality in order to find the answer to their need.



Hydraulic integrated circuit for speed reduction acc. EN 13000-2010



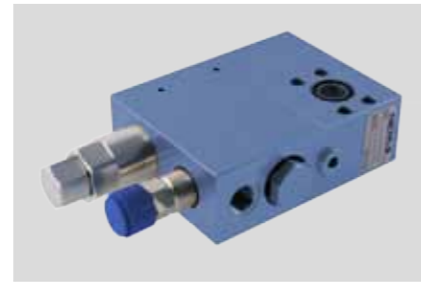
Boom load lowering valves

The NEM load lowering control valves for mobile cranes application, the LHD20Y and the LHD30Y, are products specifically designed to control carrying cylinders subjected to increasing loads over the retracting stroke.

They combine a simple and reliable design with an effective lowering speed reduction in combination with the load increasing.

The LHD20Y and the LHD30Y series are designed to be reliable and precise thanks to hardened and grinded seats for both: the load lowering control poppet and the check valve seat.

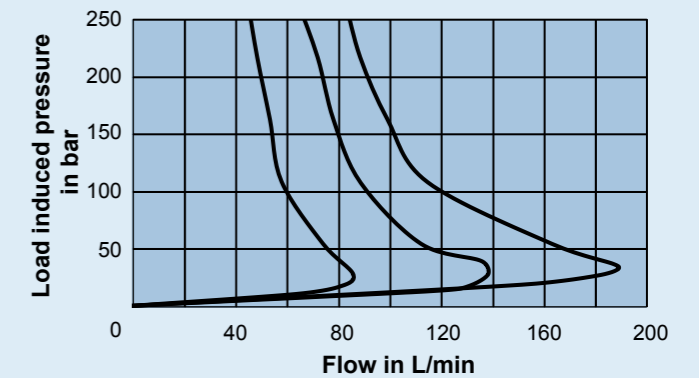
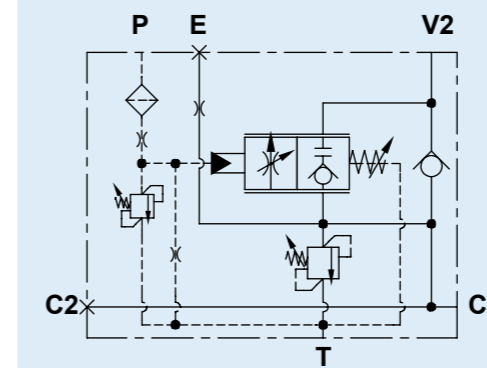
Different plungers and internal features allow to adjust the lowering speed control to match many customer specifications.



LHD20Y series

Main features

- LHD20Y and LHD30Y series
- Poppet style design
- Load sensitive lowering speed
- Flow range 100, 200 and 300 L/min
- Flanged port sizes 3/4" SAE-6000 PSI and 1" SAE-6000 PSI
- Maximum lowering speed adjustment
- Joystick and direct pilot actuation
- Check valve with hardened seat



Winch counterbalance valves with brake release

The NEM LHD25X overcenter valves for winch application are specifically designed to be flanged on hydraulic motors for mobile cranes, they are equipped with the shuttle valve for the brake releasing during lifting and lowering operations.

Furthermore, they are assembled with an internal restrictor on the pilot section, to damp oscillations may occur during load lowering operations in combination with load sensing systems and to improve the valve smoothness.



LHD25X series

Main features

- LHD25X series
- Poppet style design
- Flow range 350 L/min
- Flanged port sizes 3/4" and 1" SAE-6000 PSI
- Damped pilot pressure
- Pilot ratio 13:1

